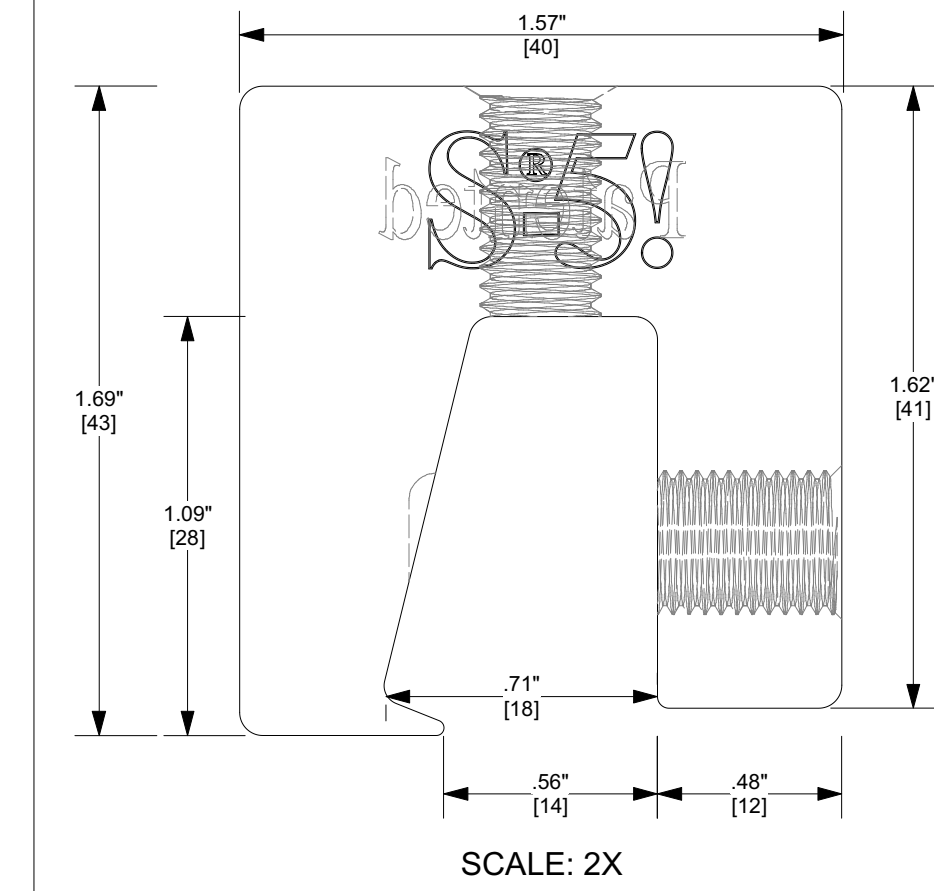
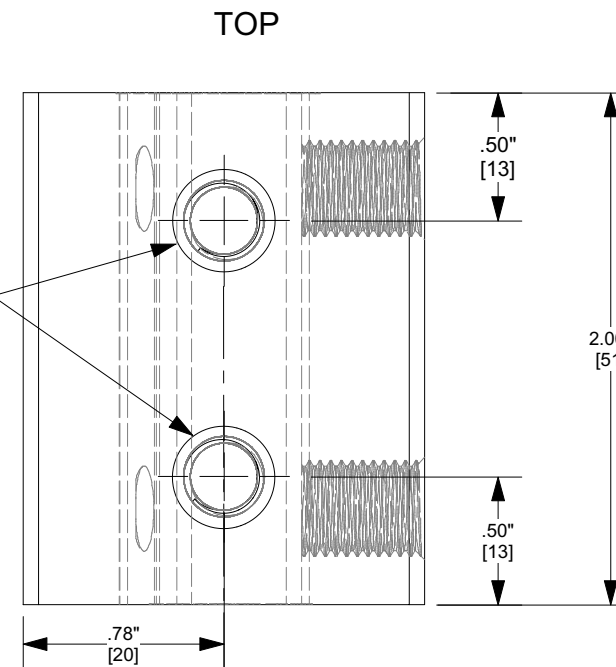
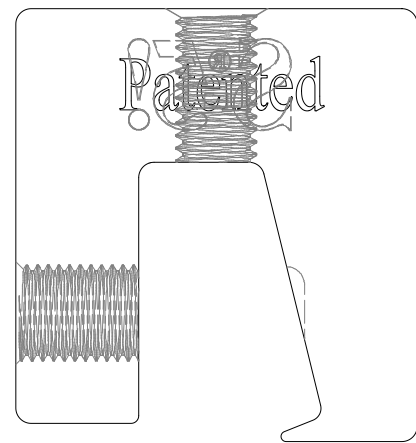


# S-5-N

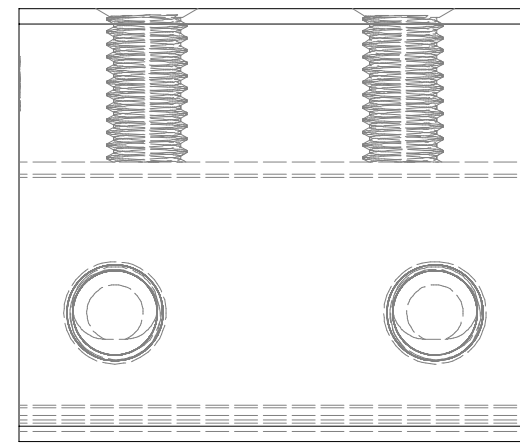
(2X) M8-1.25 THREADED HOLE



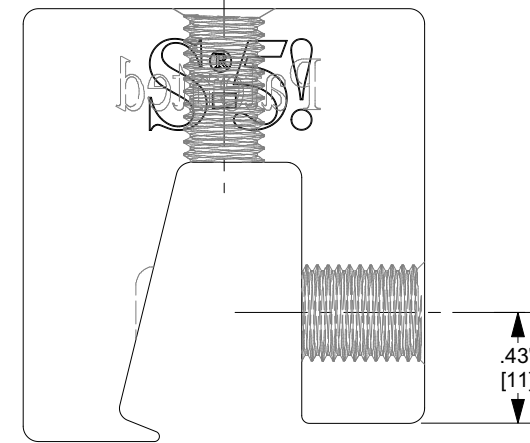
SCALE: 2X



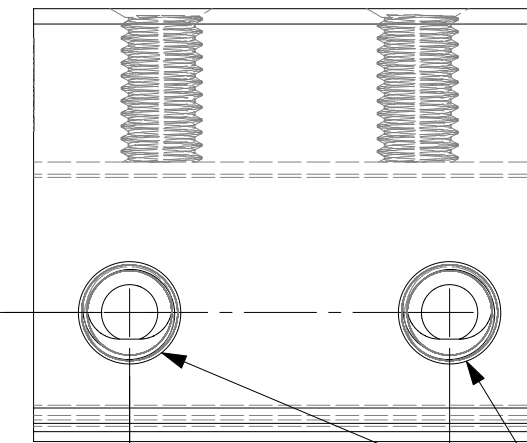
BACK



LEFT



FRONT

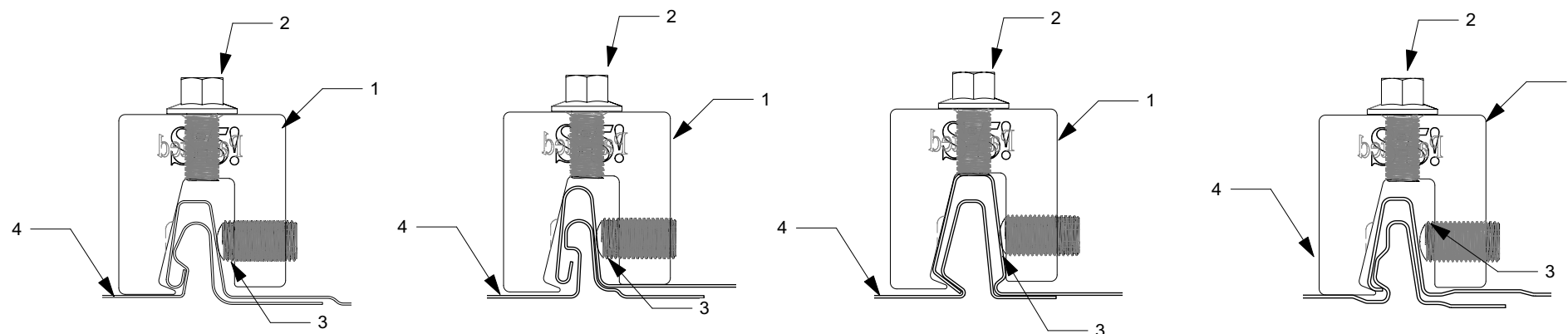


RIGHT

(2X) 3/8-24 THREADED HOLE

### Notes

1. S-5-N
2. M8-1.25 X 16MM HEX FLANGE BOLT
3. 3/8-24 X .8" ROUND POINT SETSCREW
4. EXAMPLE PROFILE



**FOR STANDING SEAM SPECIFIC MECHANICAL LOAD TEST INFORMATION AND CLAMP INSTALLATION INFORMATION PLEASE VISIT: WWW.S-5.COM**

MATERIAL:	<b>6061 T6</b>
EST ASSEMBLY WEIGHT :	<b>.43 LBS</b>
SUPPLIED HARDWARE:	M10-1.5 X 16MM (16MM HEX) 18/8 SS 3/8-24 X .800" 18/8 SS
SCALE:	<b>1:0.75</b>
OTHER:	



METAL ROOF INNOVATIONS, LTD.  
8655 TABLE BUTTE RD  
COLORADO SPRINGS, CO 80908  
719-495-0518  
719-495-0045 (FAX)

TITLE		S-5-N	
DRAWING NO.	N72-A-0-A CCD	DRAWN BY	DMMH
		DATE	05/15/2012
<small>S-5!® PRODUCTS ARE PROTECTED BY MULTIPLE U.S. PATENTS INCLUDING 5,228,248, 5,983,588 AND 6,164,033 (OTHERS ISSUED AND PENDING). EUROPEAN PATENTS ARE ALSO APPLIED FOR AND PENDING UNDER THE PATENT COOPERATION TREATY WITH DIVISIONAL FILING RIGHTS RETAINED. METAL ROOF INNOVATIONS, LTD. (LICENSOR OF S-5!® TECHNOLOGY) AGGRESSIVELY PROSECUTES PATENT INFRINGEMENT.</small>			